


■ Features:

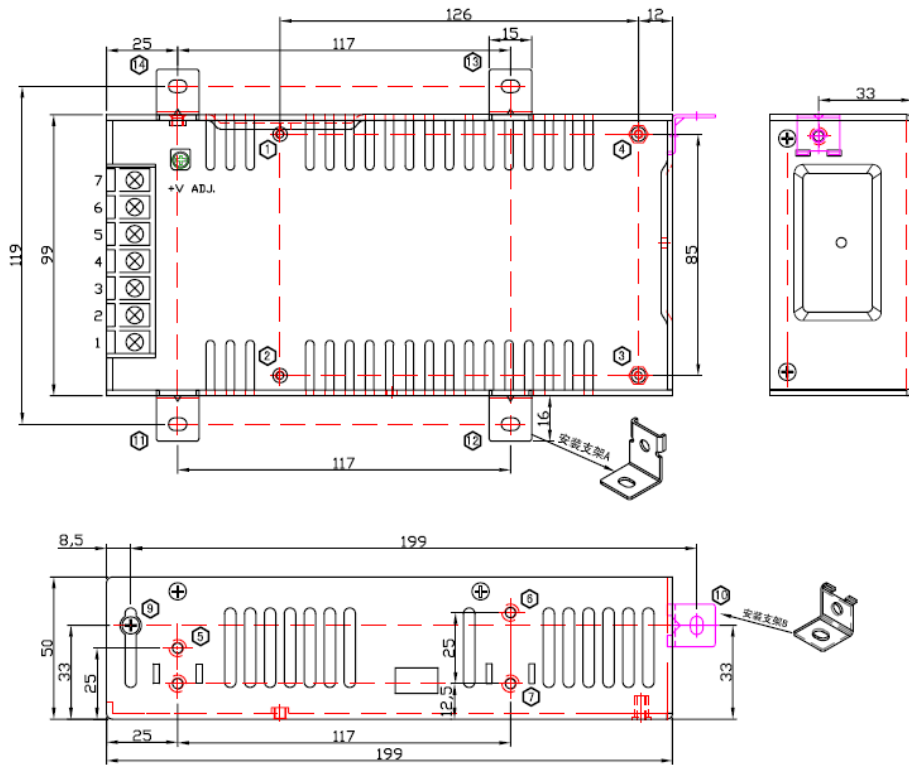
- High AC input
- High Efficiency, and High reliability
- Output protections: SCP/OVP/OPP/OLP
- Wide operating ambient temperature (-40°C ~65°C)
- All using 105°C long life electrolytic capacitors.
- 100% full load burn-in test
- 1 year warranty

SPECIFICATION

MODEL		VAT-H150-5-D	
OUTPUT	DC Output	5V	
	Rated Current	30A	
	Current Range Note 1	0~30A	
	Ripple and Noise Note 2	0~65°C	200mV
	Voltage ADJ. Range	±10% of rated output voltage	
	Voltage Accuracy	±2.0%	
	Line Regulation	±0.5%	
	Load Regulation	±2.0%	
	Set-up Time	<2.0S (220Vac input, Full load)	
	Hold up Time	> 10mS(220Vac input, Full load)	
	Temperature Coefficient	±0.03%/°C	
	Overshoot and Undershoot	<5.0%	
INPUT	Voltage Range	176Vac~264Vac	
	Frequency Range	47Hz~63Hz	
	Efficiency (Typical)	81%(220Vac input)	
	AC Current (max.)	2.0A	
	Inrush Current (Typical)	45A@220Vac Cold start	
	Leakage Current	Input—output:<0.25mA Input—PG:<0.5mA	
PROTECTION	Over Power	105%~150% of rated output power, auto recovery	
	Over Current	105%~150% of rated output current, auto recovery	
	Over Voltage	105%~150% of rated output voltage, auto recovery	
	Shorted Circuit	Long-term mode, auto recovery	
ENVIRONMENT	Operating amb. Temp. & Hum.	-40°C~65°C; 20%~90%RH No condensing	
	Storage Temp. & Hum.	-40°C~85°C; 10%~95%RH No condensing	
SAFETY & EMC Note 3	Safety Standards	GB4943-2001; EN60950-1: 2006	
	Withstand Voltage	Primary-Secondary:3.0KVac; ≤10mA .Primary-PG:1.5KVac; ≤10mA. Secondary-PG:0.5KVDC;≤10mA.	
	Isolation Resistance	≥100M ohms	
	EMI Conduction&Radiation	/	
	Harmonic Current	/	
	EMS Immunity	Compliance to EN61000-4-2,3,4,5,6,8,11;ENV50204,light industry level,criteriaA	
OTHERS	MTBF (MIL-HDBK-217F)	More than 100,000Hrs (25°C, Full load)	
	Dimension (L*W*H)	199*99*50mm	
	Packing	12PCS/CTN G.W: 11KGS Carton size: 420*336*257mm	
	Cooling method	Cooling by free air convection	
NOTE	1. All parameters NOT specially mentioned are measured at rated input, rated load and 25°C of ambient temperature. 2. Measured at 20MHz of bandwidth by using a 12" twisted pair-wire terminated with a 0.1 uF & 10uF parallel capacitor. 3. The SPS is considered a component which will be installed into final equipment. The equipment must be re-confirmed that it still meets EMC directives.		

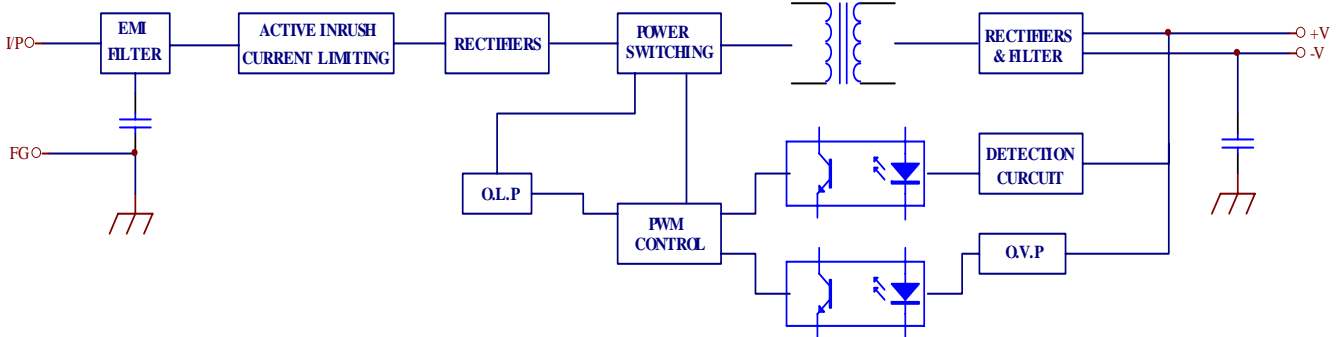
■ Mechanical Specification

Unit: mm



Pin No.	Assignment
1	AC-L
2	AC-N
3	F.G
4/5/6	DC output -V
7/8/9	DC output +V

■ Block Diagram



■ Derating Curve

