



■ Features:

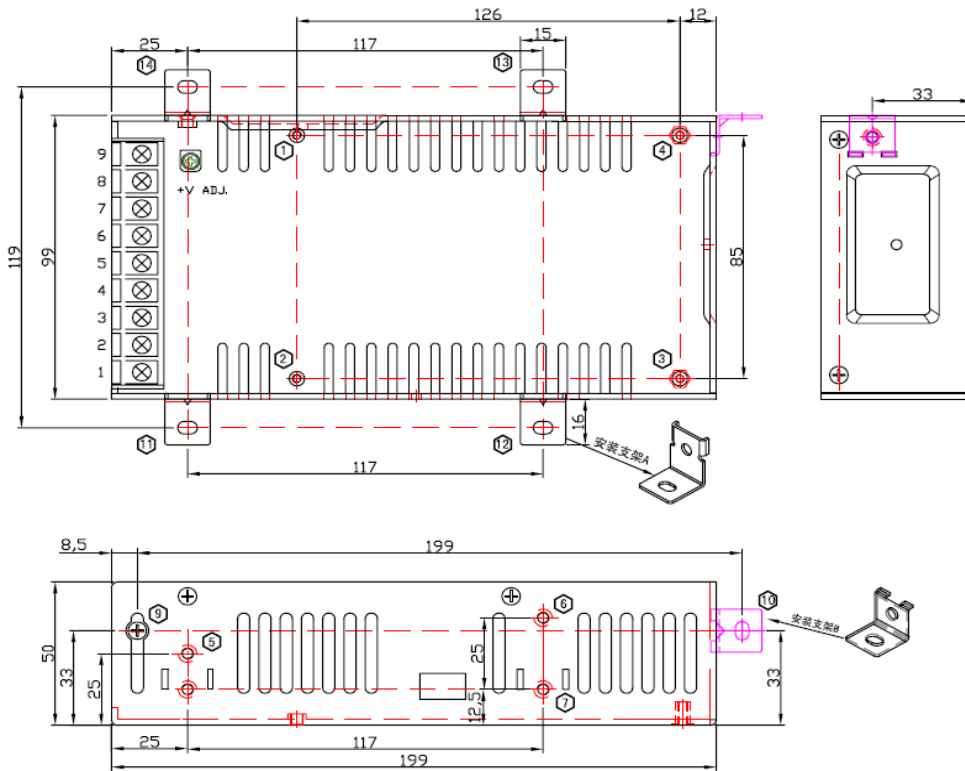
- High AC input
- High Efficiency, and High reliability
- Output protections: SCP/OVP/OPP/OLP
- Wide operating ambient temperature (-40°C~65°C)
- All using 105°C long life electrolytic capacitors.
- 100% full load burn-in test
- 1 year warranty

SPECIFICATION

MODEL		VAT-H200-5	VAT-H200-12	VAT-H200-24	
OUTPUT	DC Output	5V	12V	24V	
	Rated Current	40A	16.7A	8.3A	
	Current Range	Note 1	0~40A	0~16.7A	0~8.3A
	Ripple and Noise	Note 2	200mV	120mV	120mV
	Voltage ADJ. Range		±10% of rated output voltage		
	Voltage Accuracy		±2.0%	±1.0%	±1.0%
	Line Regulation		±0.5%	±0.5%	±0.5%
	Load Regulation		±2.0%	±1.0%	±1.0%
	Set-up Time		<2.5S (220Vac input, Full load)		
	Hold up Time		> 20mS(220Vac input, Full load)		
	Temperature Coefficient		±0.03%/°C		
	Overshoot and Undershoot		<5.0%		
INPUT	Voltage Range	176Vac~264Vac			
	Frequency Range	47Hz~63Hz			
	Efficiency (Typical)	81%(220Vac input)	85%(220Vac input)	87%(220Vac input)	
	AC Current (max.)	2.5A			
	Inrush Current (Typical)	50A@220Vac Cold start			
	Leakage Current	Input—output:<0.25mA Input—PG:<0.5mA			
PROTECTION	Over Power	105%~150% of rated output power, auto recovery			
	Over Current	105%~150% of rated output current, auto recovery			
	Over Voltage	105%~150% of rated output voltage, auto recovery			
	Shorted Circuit	Long-term mode, auto recovery			
ENVIRONMENT	Operating amb. Temp. & Hum.	-40°C~65°C; 20%~90%RH No condensing			
	Storage Temp. & Hum.	-40°C~85°C; 10%~95%RH No condensing			
SAFETY & EMC Note 3	Safety Standards	GB4943-2001; EN60950-1: 2006			
	Withstand Voltage	Primary-Secondary:3.0KVac; ≤10mA .Primary-PG:1.5KVac; ≤10mA. Secondary-PG:0.5KVDC;≤10mA.			
	Isolation Resistance	≥100M ohms			
	EMI Conduction&Radiation	/			
	Harmonic Current	/			
OTHERS	EMS Immunity	Compliance to EN61000-4-2,3,4,5,6,8,11;ENV50204,light industry level,criteriaA			
	MTBF (MIL-HDBK-217F)	More than 100,000Hrs (25°C, Full load)			
	Dimension (L*W*H)	199×99×50mm			
	Packing	12pcs/carton GW:9.2KGS			
NOTE	Cooling method	Cooling by free air convection			
	<p>1. All parameters NOT specially mentioned are measured at rated input, rated load and 25°C of ambient temperature.</p> <p>2. Measured at 20MHz of bandwidth by using a 12" twisted pair-wire terminated with a 0.1 uF & 10uF parallel capacitor.</p> <p>3. The SPS is considered a component which will be installed into final equipment. The equipment must be re-confirmed that it still meets EMC directives.</p> <p>4. If you need fixture A or fixture B for install purpose,please contact our sales.</p>				

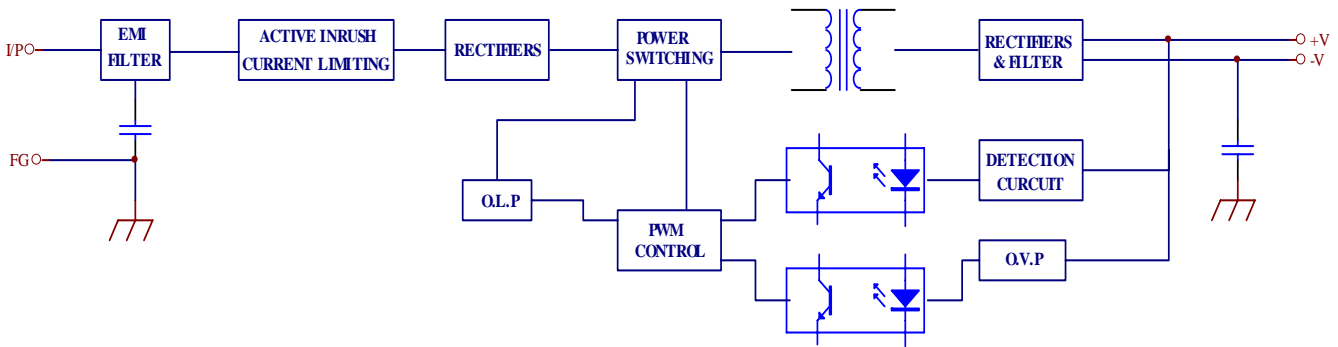
Mechanical Specification

Unit: mm



Pin No.	Assignment
1	AC-L
2	AC-N
3	F.G
4/5/6	DC output -V
7/8/9	DC output +V

Block Diagram



Derating Curve

